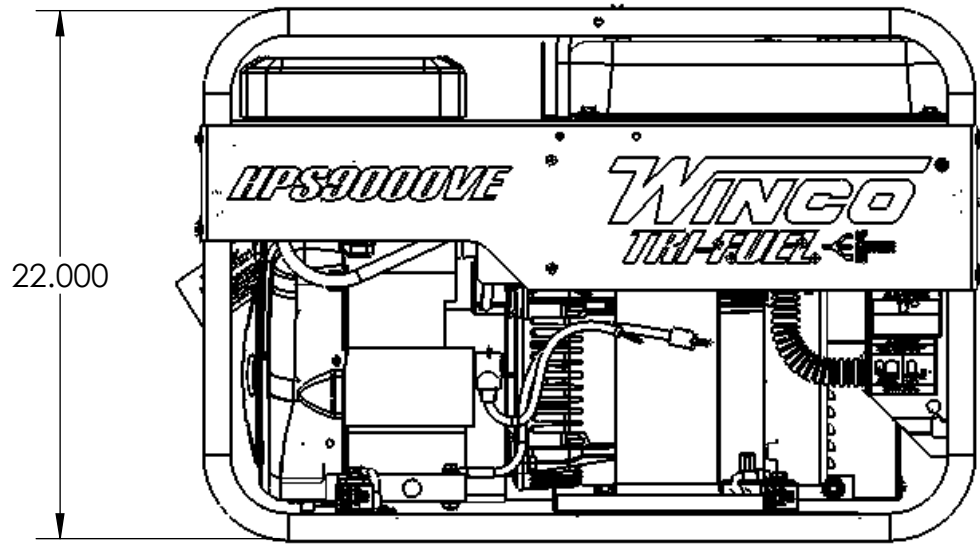
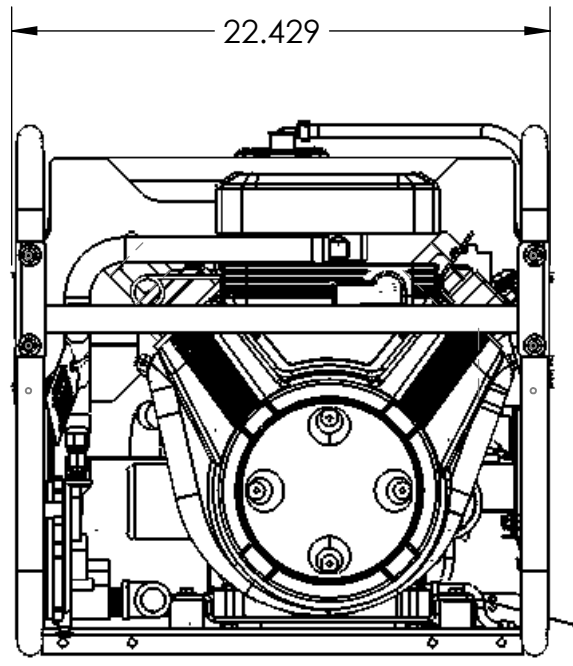
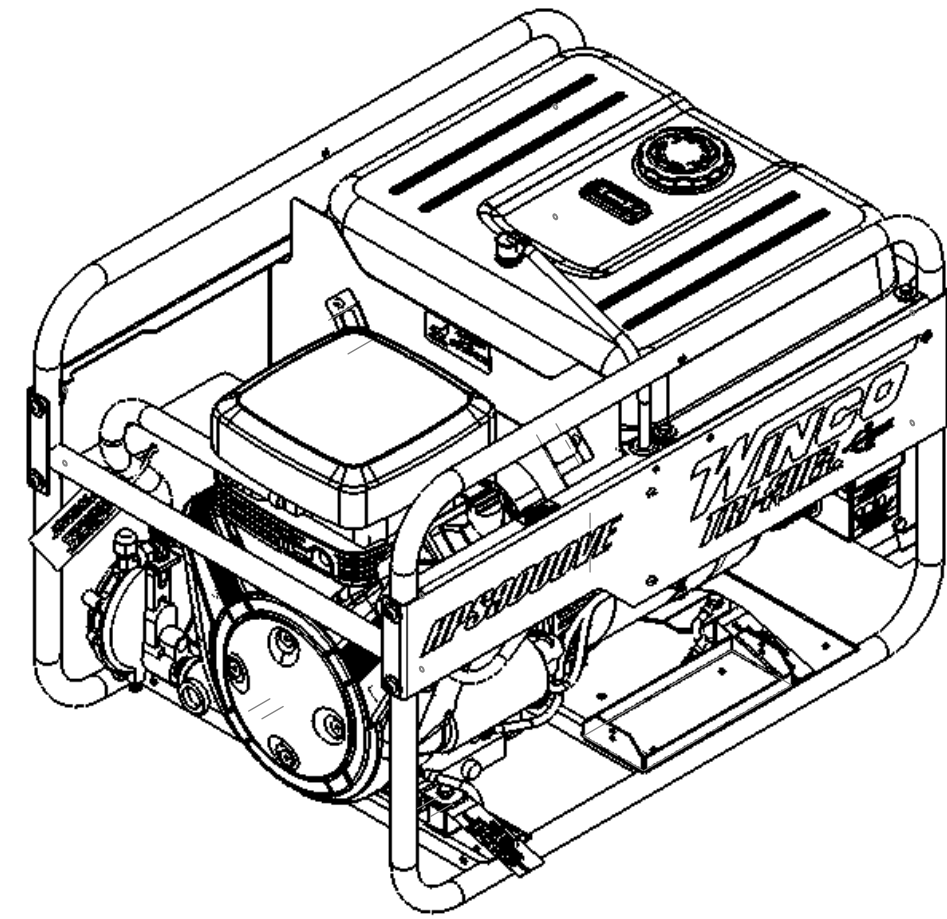
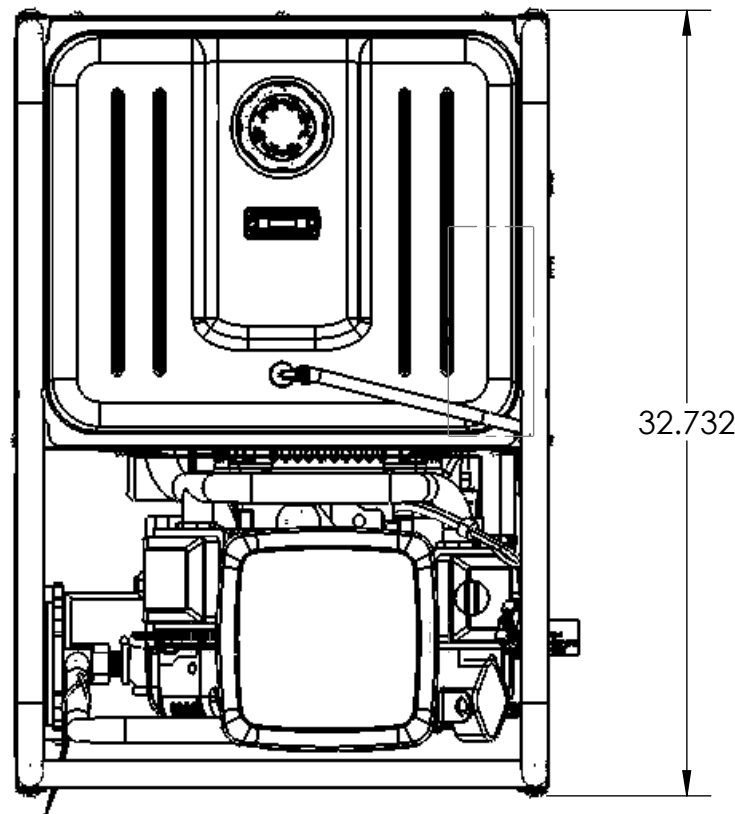


100-60991

REVISIONS					
REV.	IRN	DESCRIPTION	DATE	BY	APP'D
A		ORIGINAL	4/16/2013	MVW	DRC



ITEM NO.	PartNo	DESCRIPTION	QTY
1	100047-723	CARTON	1
2	15163-083	FUEL SYSTEM INSTALLATION	1
3	15715-077	DECAL AND NAMEPLATE INSTALLATION	1
4	16176-052	RECEPTACLE INSTALLATION WC6000H	1
5	18000-013	ENGINE GENERATOR CRADLE ASSEMBLY	1
6	60706-237	OPERATION MANUAL	1

UNLESS OTHERWISE SPECIFIED		MACHINED SURFACE TEXTURE		ALL DIMENSIONS GIVEN IN INCHES WORK TO DIMENSIONS FLAT OUTSIDE VIEW SHOWN UNLESS NOTED -DO NOT SCALE-	
FRACTIONS	ANGULAR				
1 PLACE DEC. .1	1.5				
2 PLACE DEC. .015					
3 PLACE DEC. .005					
	DRAWN BY	DATE	CHK'D BY	DATE	ENG APPR.
	MVW	4/16/2013			DRC
THIS DRAWING CONTAINS PROPRIETARY INFORMATION BELONGING TO WINCO. UNAUTHORIZED USE IS PROHIBITED	MATERIAL:	NA		TITLE: COMPLETE ASSEMBLY	
	FINISH:	NA			
	MODEL:	HPS9000VE		PART NO.	16609-001