

Features

Briggs & Stratton Vanguard Engine

Premium-grade Vanguard engines are application-engineered to operate in tough conditions.

Low Oil Protection

In the event there is low-oil pressure, the engine will shut down, which will protect the engine from damage.

Premium Circuit Breakers

Providing clear and instant identification of a tripped circuit.

Vacuum Fuel Pump

30" feet fuel lift capability.

100% Load Tested

You won't find statistical sampling here. We load test every generator before it leaves our facility.

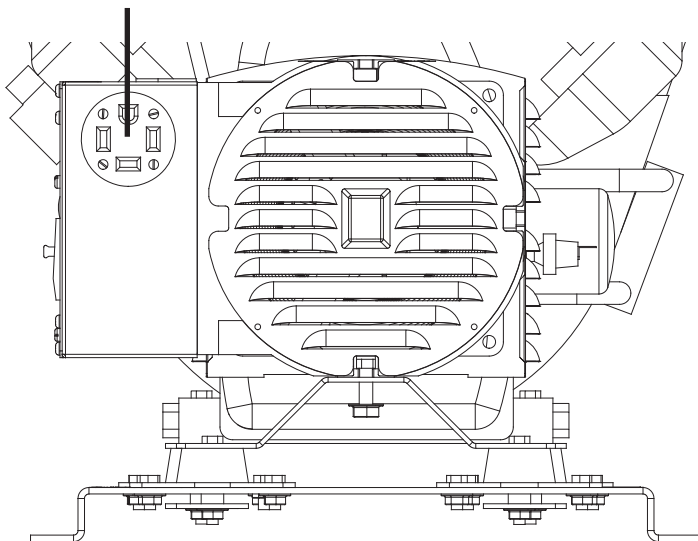
EMERGEN-C VEHICLE MOUNTED

18,000 Surge Watts

15,000 Continuous Watts



NEMA 14-60 60A



Optional Accessories

Fuel System

Includes 15 gallon composite fuel tank, primer bulb, fuel cap with gauge, carbon canister, fuel line, connectors, and brackets.

Maintenance Kit

Keep the engine at its peak performance to ensure the generator will be ready when needed most.

NEMA 14-60 60 Amp Full Power Plug

You supply the #4/4 conductor cord, we provide the plug.

Battery

Premium Interstate Group 26 500 CCA battery for a quick, reliable start-up.

GENERATOR

SURGE WATTS	18,000
CONTINUOUS WATTS	15,000
AMPS @ 240V	62.5
OUTPUT	120/240 VAC
VOLTAGE REGULATION	CAPACITOR +/-5%
MAIN CIRCUIT BREAKER	60 AMP, 240 VAC
BONDED NEUTRAL	YES
120/240 VOLT RECEPTACLES	NEMA 14-60 60AMP
GENERATOR WARRANTY ⁽¹⁾	2 YRS

NOTES: (1) For more generator warranty information contact your local WINCO dealer.

FUEL CONSUMPTION

100% LOAD	2.69 GAL/HR
75% LOAD	2.15 GAL/HR
50% LOAD	1.62 GAL/HR
25% LOAD	1.21 GAL/HR
0% LOAD	0.88 GAL/HR

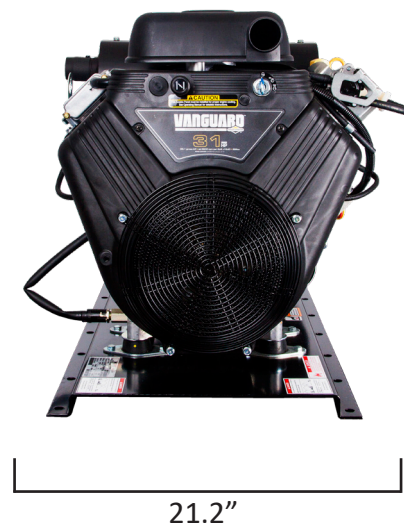
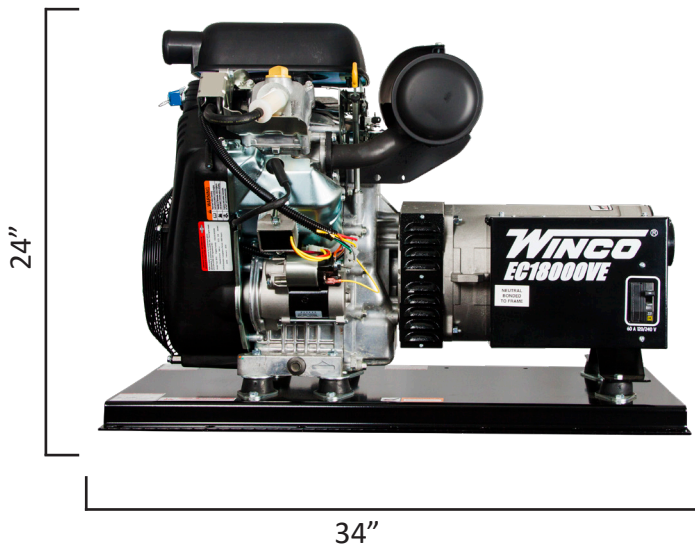
SHIPPING

DIMENSIONS (LxWxH)	34" x 21.2" x 24"
NET WEIGHT	305 LBS
SHIPPING DIMENSIONS	50" x 27" x 32"
SHIP WEIGHT	326 LBS
FREIGHT CLASS	70

ENGINE

ENGINE BRAND	BRIGGS & STRATTON
ENGINE MODEL	VANGUARD
ENGINE STARTER	ELECTRIC
ENGINE SPEED	3600 RPM
ENGINE CYLINDERS	V-TWIN
DISPLACEMENT/TYPE	895 CC / OHV
LOW OIL PROTECTION	STANDARD
RECOMMENDED OIL ⁽¹⁾	10W-30
OIL CAPACITY	2.5 QT
dBA AT 7 METERS	79
FUEL SYSTEM	OPTIONAL
HOUR METER	YES
MOTOR STARTING (CODE G) ⁽²⁾	6 HP
EPA APPROVED	YES
CARB APPROVED	NO
CSA APPROVED	NO
BATTERY SIZE ⁽³⁾	BCI GROUP 26 500 CCA
ENGINE WARRANTY ⁽⁴⁾	3 YRS COMMERCIAL

NOTES: (1) The oil recommended is for normal applications. See operator's manual for the recommended oil for your needs. (2) Code G capacitor start motor. (3) Battery not included (4) Contact your local Briggs & Stratton service center for engine warranty assistance.



Specifications are subject to change without notice.