

WINGCO® W105FPTOT-4

Features

Automatic Voltage Regulation

Automatic voltage regulation that is +/- 1.5%.

Cast Iron Gear Case with Helical Gears

A 1000 RPM operating speed makes for effective operation.

Premium Square D Circuit Breakers

Square D is the industry leader in circuit breaker protection.

Frequency Meter

A large 3 1/2" frequency meter ensures the proper output.

Protective PTO Shield

Safety is always a priority.

5-Wire Anderson Plug Included

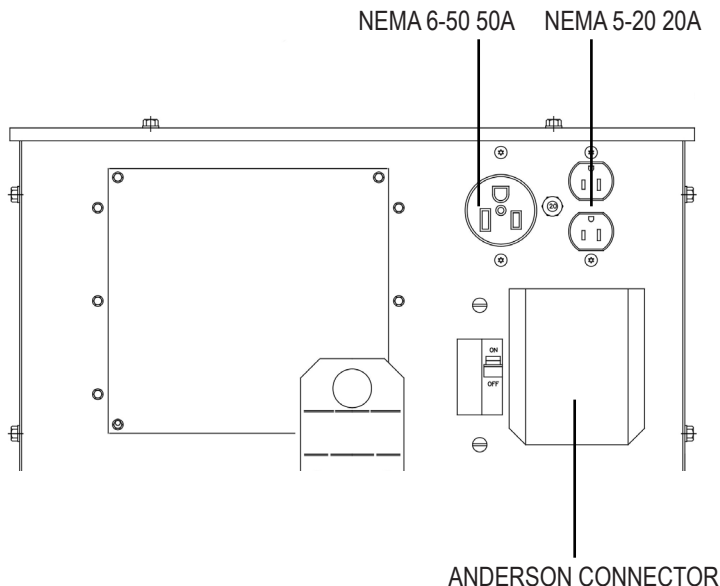
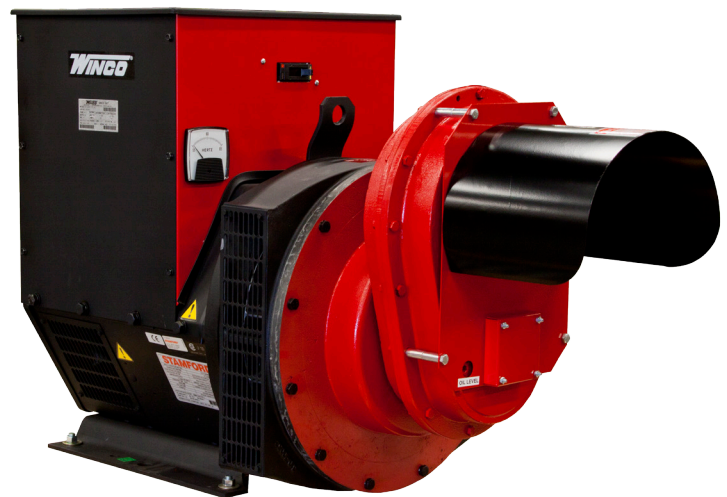
You supply the 4/0 THHN, we provide the plug.

Load Tested

You won't find statistical sampling here. We load test every generator before it leaves our facility.

POWER TAKE-OFF

105,000 Continuous Watts



Optional Accessories

PTO Drive Shaft

1 3/4" - 20 spline x 1 3/4" - 20 spline or 1 3/4" - 20 spline x 1 3/8" - 21 spline quick connect shafts. Designed to handle the horsepower ratings required.

Off-Road PTO Trailer

Our steel trailers are specifically designed to handle the torque of running a PTO generator.

Manual Transfer Switch

Set up your generator quickly and safely to restore power to critical circuit breakers.

W105FPTOT

| | |
|----------------------------------|--------------------|
| CONTINUOUS WATTS | 105,000 |
| AMPS ⁽¹⁾ | 364 |
| OUTPUT | 120/208 V |
| PHASE | THREE |
| PTO INPUT SPEED | 1000 RPM |
| INPUT SHAFT SIZE | 1 3/4" - 20 SPLINE |
| REQUIRED INPUT HP ⁽²⁾ | 210 |
| MOTOR STARTING ⁽³⁾ | 40 HP |
| FREQUENCY METER | YES |
| MAIN CIRCUIT BREAKER | 350 AMP |
| BONDED NEUTRAL | YES |
| GROUND LUG | YES |
| GEARCASE OIL | SAE 85W 90-140 |
| GEARCASE OIL CAPACITY | 1 PINT |
| LIFTING EYE | YES |
| WARRANTY ⁽⁴⁾ | 3 YRS |

NOTES: (1) 0.8 power factor (2) Required HP at PTO of tractor for full rated output. Each 2 HP of tractor power equals approximately 1 kW of electric power. (3) Code G capacitor start motor. Please consult factory or authorized dealer for further information. (4) 3 year warranty for farm use only, other uses have a 1 year warranty. Please consult factory or authorized dealer for further information.

GENERATOR END

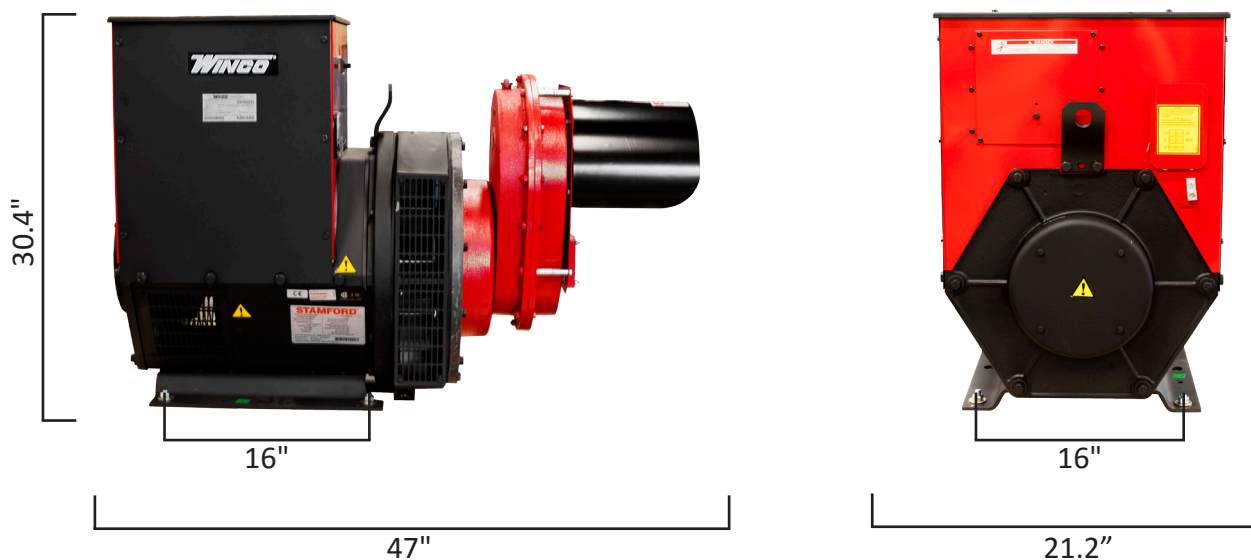
| | |
|---------------------------|-----------------------|
| VOLTAGE REGULATION | +/- 5% |
| TOTAL HARMONIC DISTORTION | < 5% |
| RATING | 125° C |
| TYPE | 4-POLE ROTATING FIELD |
| BRUSHLESS | YES |
| GENERATOR SPEED | 1800 RPM |
| VOLTAGE CONTROL | AVR SX460 |
| INSULATION | CLASS H |

RECEPTACLES

| | |
|-----------------------|--------------------------|
| 120 VOLT RECEPTACLES | (1) NEMA 5-20 20A DUPLEX |
| 240 VOLT RECEPTACLES | (1) NEMA 6-50 50A |
| 120/240 VOLT ANDERSON | 350 AMPS |

SHIPPING

| | |
|---------------------|----------------------|
| DIMENSIONS (LxWxH) | 47" x 21.2" x 30.4" |
| NET WEIGHT | 1206 LBS |
| SHIPPING DIMENSIONS | 55.25" x 28.5" x 36" |
| SHIP WEIGHT | 1216 LBS |
| FREIGHT CLASS | 65 |



Specifications are subject to change without notice.
225 S. Cordova Ave Le Center MN • 1-800-733-2112 • www.wincogen.com