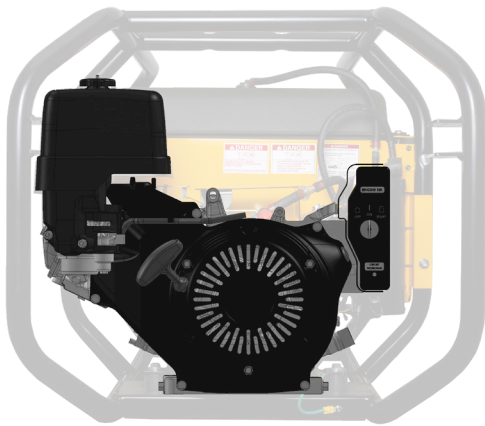


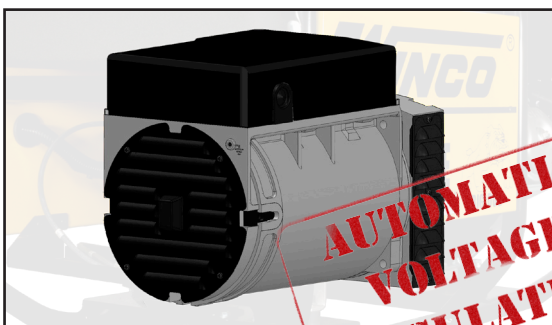
Rugged Steel Design.



Honda GX340 Commercial Engine.



Brushless Industrial Genend.



**AUTOMATIC  
VOLTAGE  
REGULATION**

## YOUR GEN

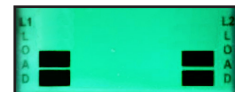
LED Display

Hours, RPMs, voltage, and frequency readings automatically cycle on the display.



Load Bars

Easily verify the load balance on each leg of the generator end.

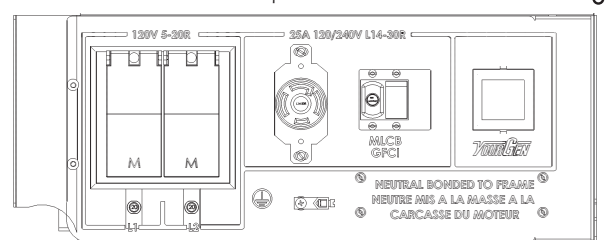


Warnings

The LED will flash if any parameter gets outside of normal range. A warning will also be displayed when it is time for an oil change.



Receptacle Panel



# SPECIFICATIONS

## ENGINE

ENGINE BRAND	HONDA
ENGINE MODEL	GX340
ENGINE STARTER	ELECTRIC
ENGINE SPEED	3600 RPM
ENGINE CYLINDERS	SINGLE
DISPLACEMENT/TYPE	389 CC / OHV
FREQUENCY REGULATION <sup>(1)</sup>	+/- 3%
LOW OIL PROTECTION	STANDARD
RECOMMENDED OIL <sup>(2)</sup>	10W-30
OIL CAPACITY	1.16 QT
FUEL TANK	7 GAL
FUEL GAUGE	YES
FULL LOAD RUN TIME <sup>(3)</sup>	8.1 HOURS
FUEL CONSUMPTION	GAL/HR
100%	0.87
75%	0.74
50%	0.48
25%	0.48
0%	0.35
BATTERY SIZE <sup>(4)</sup>	BCI 20 OR 24 300CCA

NOTES: (1) Steady state frequency regulation. (2) The recommended oil is for normal applications. See operator's manual for the recommended oil for your needs. (3) Run time is estimated. (4) Battery not included.

## OPTIONAL ACCESSORIES

TWO-WHEEL DOLLY KIT	WITH FLAT-FREE TIRES
COVER	38.75" x 22" x 22"
30A PLUG	64492-000
BATTERY	BCI GROUP U13 00 CCA
MAINTENANCE KIT	16200-002

## ELECTRICAL

STARTING WATTS	6,000
RUNNING WATTS	5,500
RUNNING AMPS @ 120 VAC	45.8
RUNNING AMPS @ 240 VAC	22.9
VOLTAGE REGULATION	AVR +/- 1%
MAIN CIRCUIT BREAKER	25 AMP, 240V (GFCI)
BONDED NEUTRAL	YES
120 VOLT RECEPTACLES	(2) NEMA 5-20 20A (GFCI)
120/240 VOLT RECEPTACLES	(1) NEMA L14-30 30A (GFCI)
YOURGEN METER	STANDARD

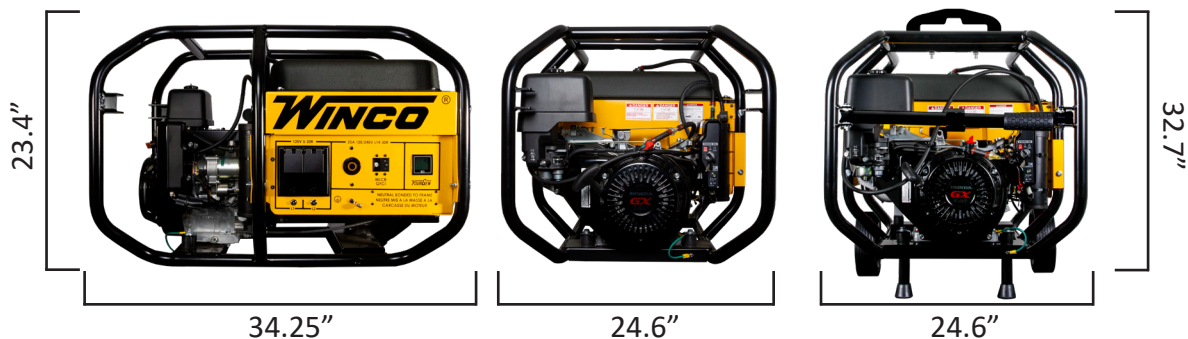
## GENSET

MOTOR STARTING (CODE G)	3 HP
DBA @ 7 METERS	
NO LOAD	79
FULL LOAD	84
TOTAL HARMONIC DISTORTION	< 5%
LIFTING EYE <sup>(1)</sup>	STANDARD
2-WHEEL DOLLY KIT	OPTIONAL
INSULATION	CLASS H
PROTECTIVE ROLL FRAME	1.25" DIA. 14 GA. STEEL
ASSEMBLED IN	USA
EPA APPROVED	YES
CARB APPROVED	YES
CSA APPROVED	YES
UNIT WARRANTY <sup>(2)</sup>	3 YEARS COMMERCIAL

NOTES: (1) Shipping eye shipped loose. (2) For more generator warranty, see operator's manual.

## SHIPPING

SHIPPING DIMENSIONS (L x W x H)	35" x 25" x 24"
SHIP WEIGHT	226 LBS
FREIGHT CLASS	70



Specifications are subject to change without notice.

