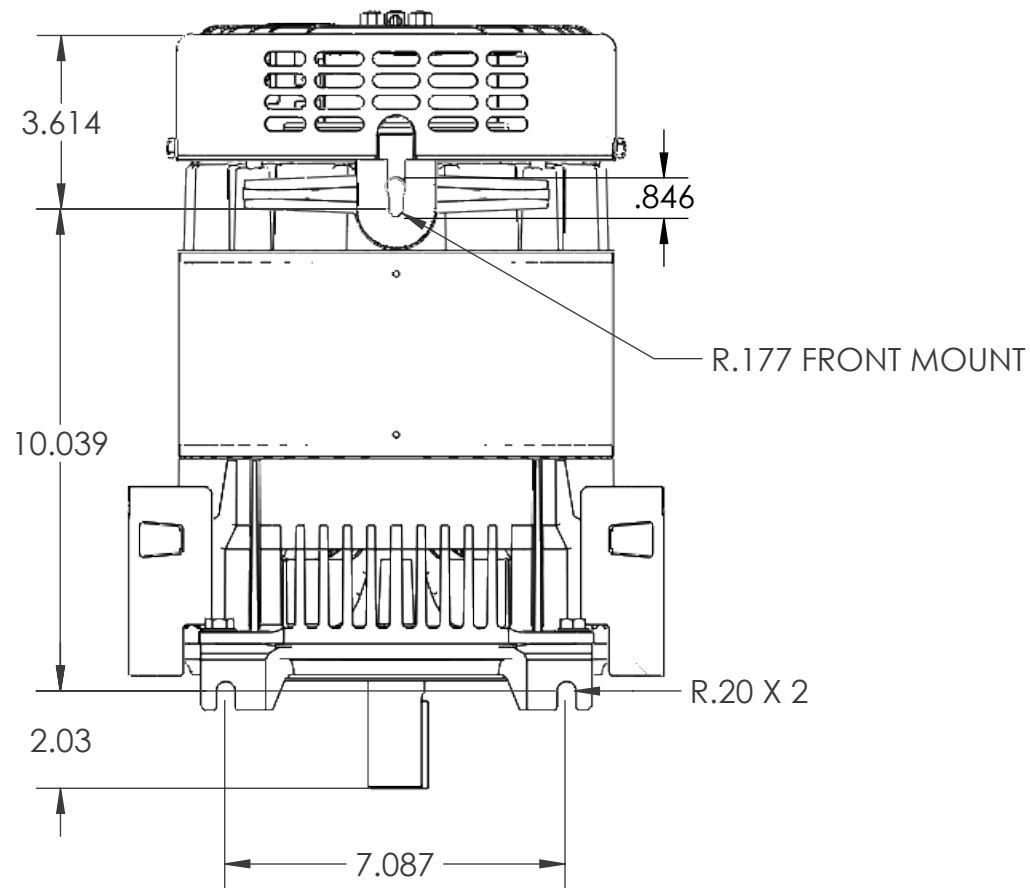
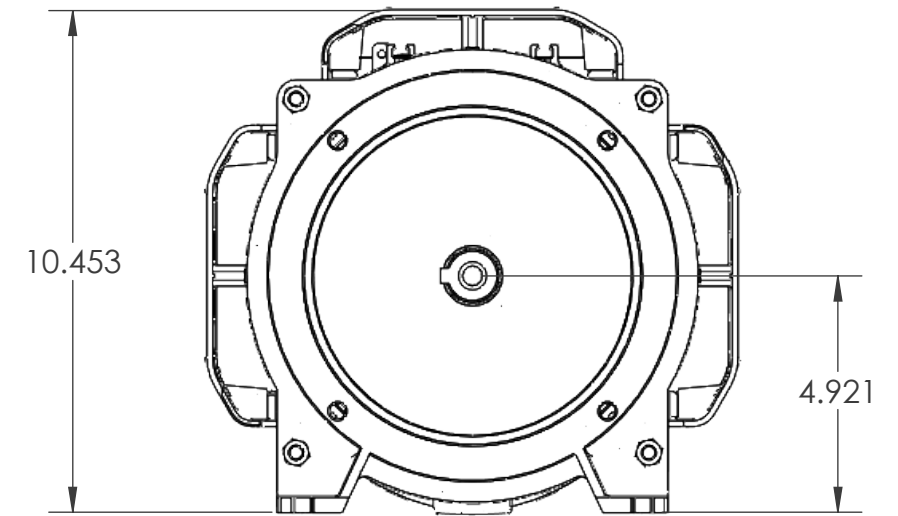
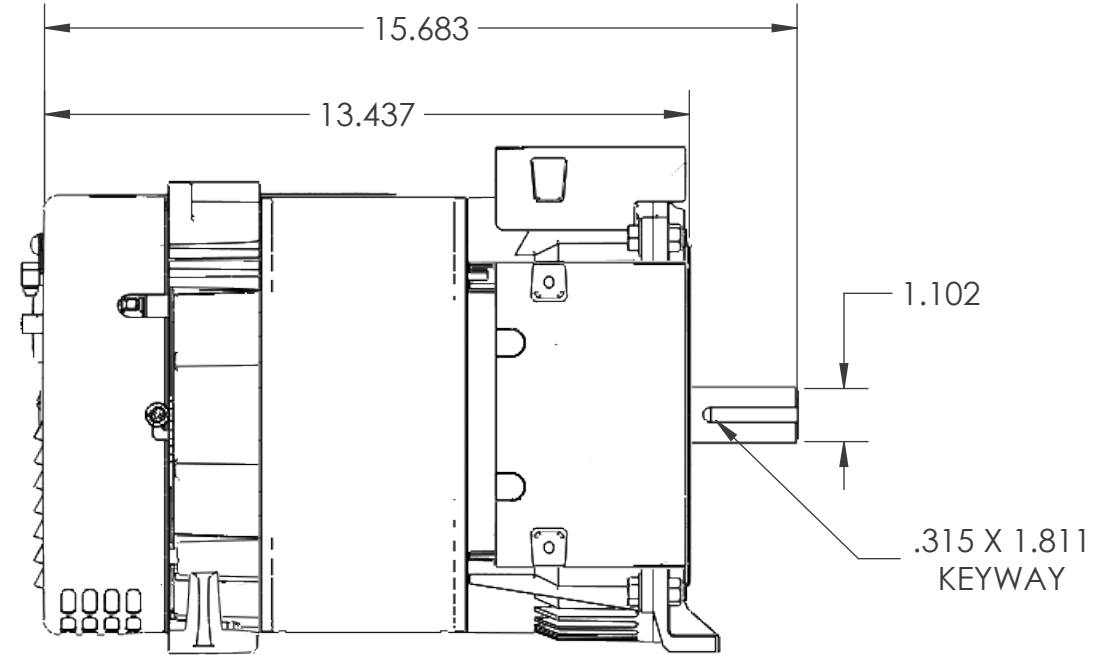
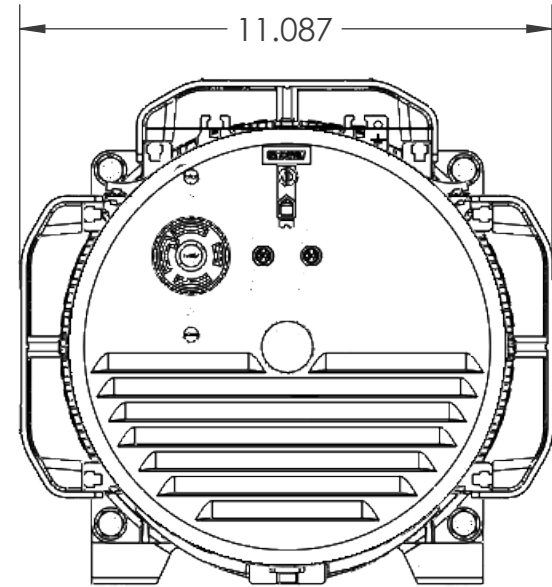


O-522

REVISIONS					
REV.	IRN	DESCRIPTION	DATE	BY	APP'D
A	P291	ORIGINAL	11/06/2017	FMJ	DRD
B		CHANGED 1.181 TO 1.811 (KEYWAY)	1/26/2018	FMJ	DRC



 THIS DRAWING CONTAINS PROPRIETARY INFORMATION BELONGING TO WINCO. UNAUTHORIZED USE IS PROHIBITED. ALL DIMENSIONS INCH	DRAWN BY	DATE	CHK'D BY	DATE	ENG APPR.	DATE
	FMJ	11/06/2017			DRD	11/13/2017
	TOLERANCE:	+/- 0.0625 DECIMAL		TITLE: OUTLINE DRAWING		
	MODEL:	TB7200/C		PART: O-522 1 of 1		

