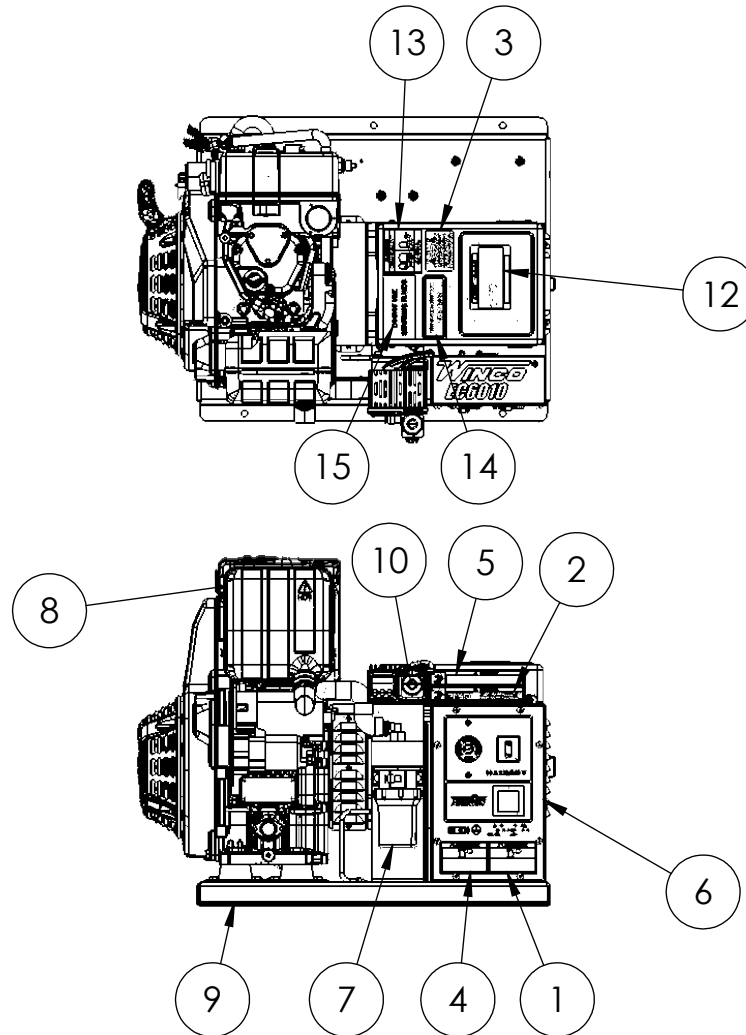


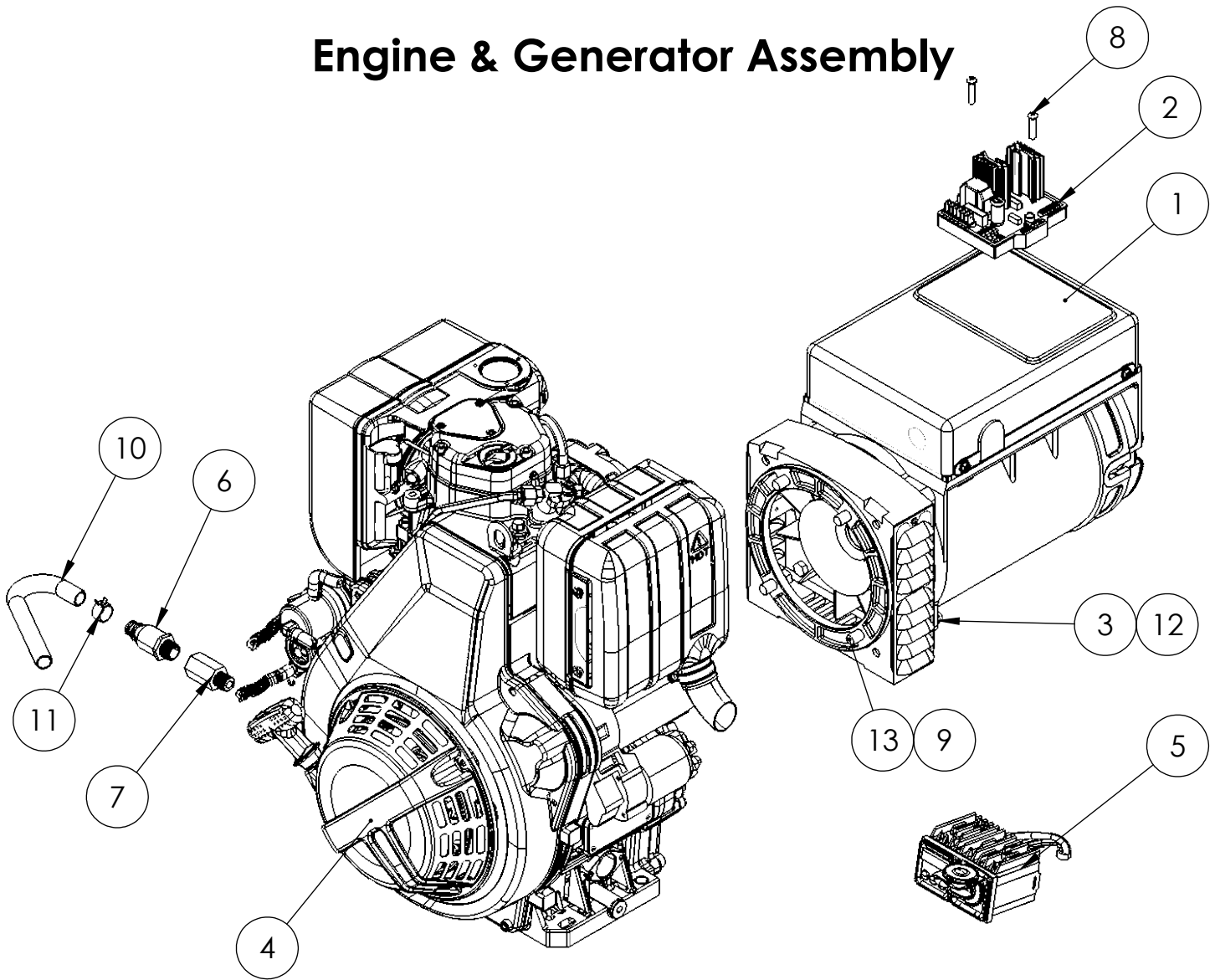
**WINCO Service**  
Phone: 507-357-6831  
Email: [service@wincogen.com](mailto:service@wincogen.com)  
[www.wincogen.com](http://www.wincogen.com)

# General Assembly



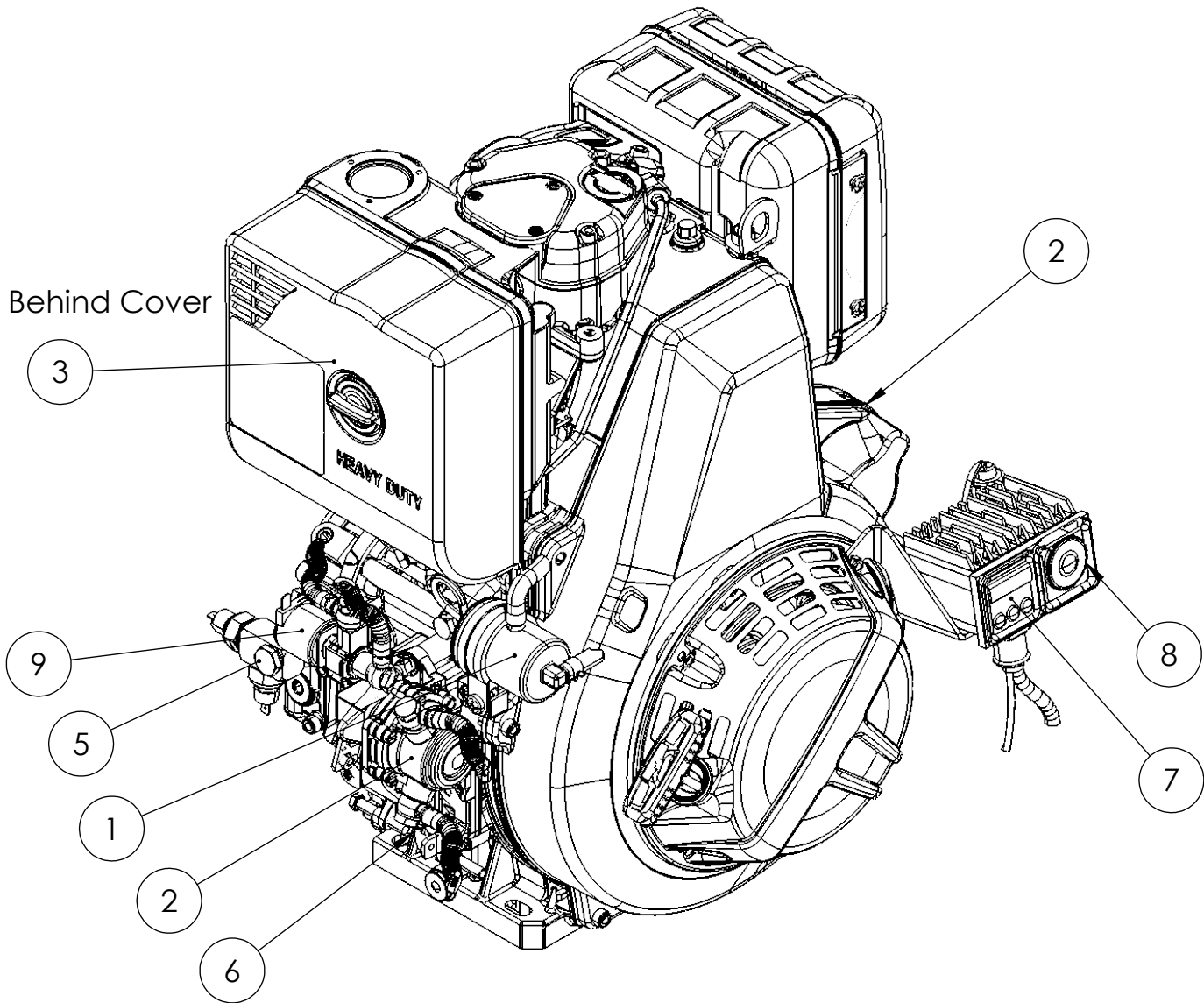
ITEM NO.	PART NUMBER	DESCRIPTION	QTY.
1	15209-002	DECAL-DANGER CARBON MONOXIDE	1
2	15209-003	UL-DECAL ELECTRICAL SHOCK CAN KILL	1
3	15209-036	PROP 65 WARNING DECAL	1
4	15209-102	DECAL-DANGER CARBON MONOXIDE	1
5	15209-103	UL-DECAL ELECTRICAL SHOCK CAN KILL	1
6	15457-082	RECEPTACLE PANEL ASSEMBLY	1
7	15869-006	FUEL PUMP SYSTEM	1
8	18000-044	ENGINE & GENERATOR COUPLING	1
9	18000-045	BASE ASSEMBLY	1
10	300116-6	KOHLER KD440 KEYSTART	1
11	60710-018	OIL WARNING TAG	1
12	63966-004	NAMEPLATE, WINCO PORTABLE	1
13	64918-000	DECAL-DANGER (CO) USE OUTSIDE	1
14	97381-001	DECAL-DIESEL FUEL ONLY	1
15	97382-000	DECAL-DO NOT USE STARTING FLUIDS	1

# Engine & Generator Assembly



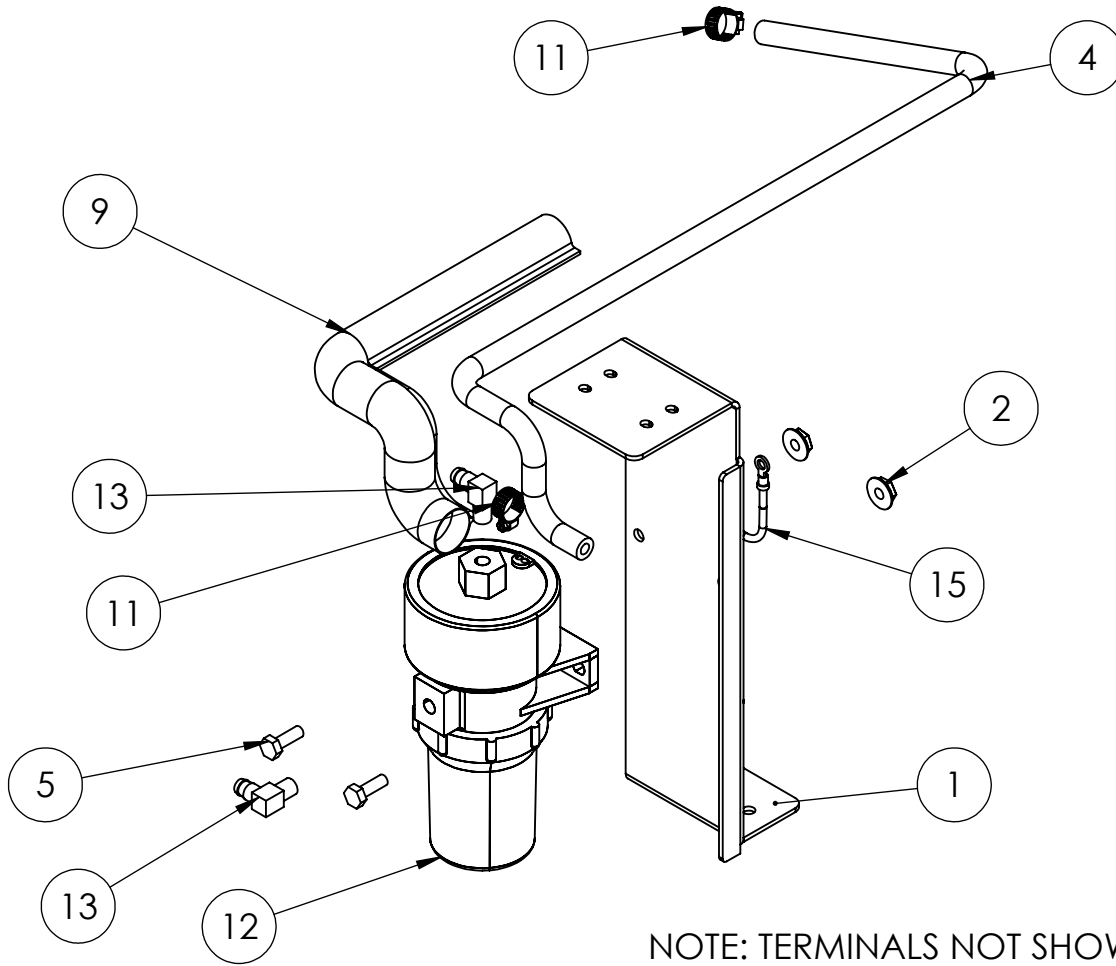
ITEM NO.	PartNo	DESCRIPTION	QTY.
1	16346-027	GENERATOR END	1
2	16346-420	VOLTAGE REGULATOR	1
3	16446-000	M8-1.25 NYLOCK	4
4	300116-6	KOHLER KD440	1
5	300116-6	KOHLER KD440 KEYSTART	1
6	300349	OIL DRAIN VALVE	1
7	300349-1	OIL DRAIN ADAPTER	1
8	420-002	CHMS M4-0.7 x 25mm PHILLIPS	2
9	481-000	LOCK 3/8 SPLIT	4
10	62286-012	HOSE, 1/2"ID NEOPRENE	1
11	62999-004	HOSE CLAMP .69 OD	1
12	64908-001	HHCS M8-1.25X35MM 8.8GR ZINC	4
13	91658-001	.375-16 X 1 HHB	4

# Engine Parts



ITEM	PART	DESCRIPTION	QTY
1	3-100	Fuel Filter	1
2	3-101	Fuel Pump	1
3	3-102	Air Filter Element	1
4	3-103	Starter Motor	1
5	3-104	Oil Pressure Switch	1
6	3-105	Oil Filter (Internal to Block)	1
7	3-106	Control Panel (With Key)	1
8	3-107	Start Key	1
9	3-108	Fuel Solenoid	1
Contact service for other engine parts as needed.			

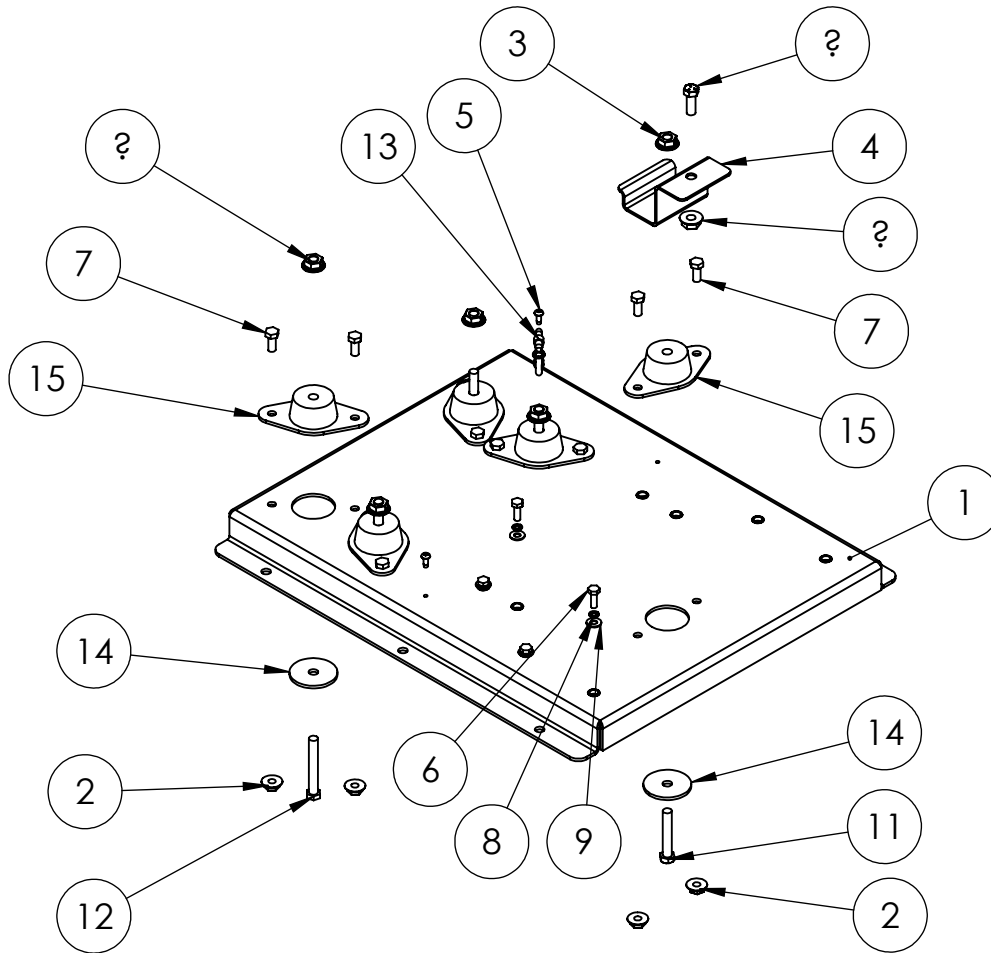
# Fuel Pump System



NOTE: TERMINALS NOT SHOWN

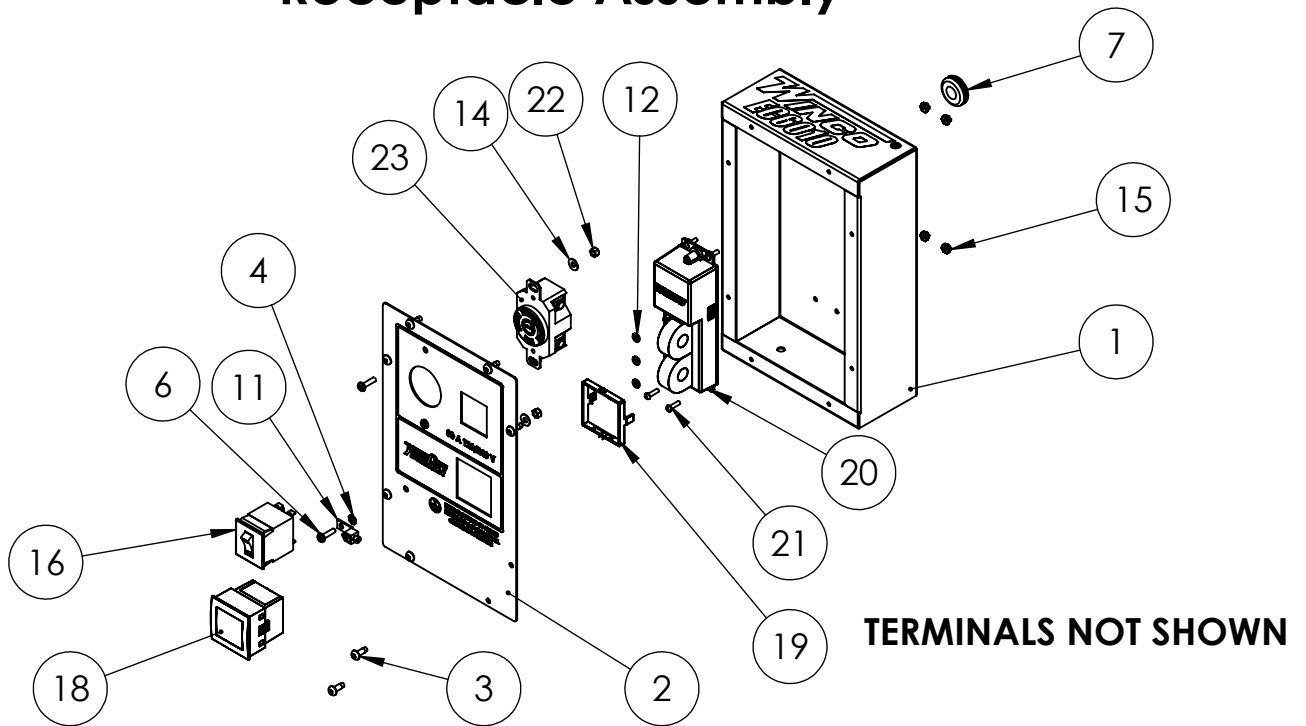
ITEM NO.	PART NUMBER	DESCRIPTION	QTY.
1	15799-011	FUEL PUMP MOUNTING BRACKET	1
2	16248-000	.25-20 FLANGE NUT	2
3	2489-004	IN-LINE FUSE HOLDER	1
4	40078-022	HOSE .25 ID 29 IN	1
5	466-000	.25-20X.75 HHB	2
6	48602-003	TERMINAL FEMALE 16-14 AWG .250 TAB	2
7	48602-004	TERMINAL MALE 16-14 AWG .250 TAB	2
8	49975-014	STAINLESS STEEL CABLE TIE 8"	2
9	62625-004	12IN HEAT SLEEVE	1
10	7547-001	TERMINAL RING 16/14AWG 1/2 STUD	1
11	81018-009	HOSE CLAMP .625-.250	2
12	81332-004	FUEL PUMP	1
13	81827-000	HOSE FIT.EL. 1/8NPT X 1/4 HOSE BARB	2
14	95064-006	FUSE AGC 10 AMP	1
15	9769-161	LEAD WIRE ASSEMBLY	1

# Base & Hardware Assembly



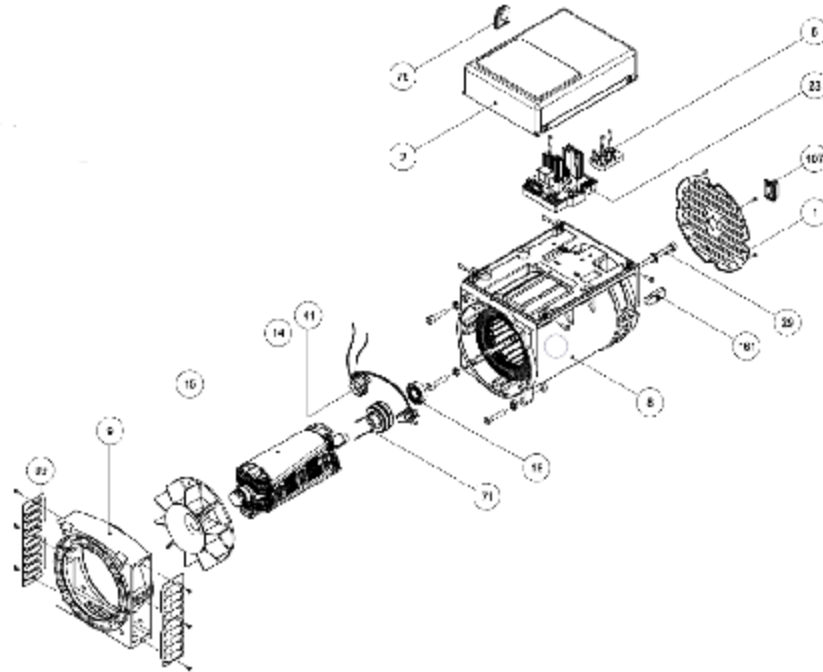
ITEM NO.	PART NUMBER	DESCRIPTION	QTY.
1	15797-004 BASE	BASE	1
2	16249-000	.3125-18 FLANGE	10
3	16250-000	.375-16 FLANGE NUT	6
4	16335-024	GENERATOR SUPPORT BRACKET	1
5	21698-001	TORX PAN HEAD SCREW #10	2
6	466-000	.25-20X.75 HHB	4
7	467-000	HHCS 5/16-18X.75	10
8	479-000	LOCK WASHER, .25" SPLIT	4
9	512-000	.25 WASHER	4
10	91658-001	.375-16 X 1 HHB	1
11	91658-006	3/8-16X2-1/4 GR5	1
12	91658-008	HHCS 3/8-16X2-3/4 GR5	4
13	9769-145	LEAD WIRE ASSEMBLY	1
14	98806-000	WASHER .406 X 2	5
15	98807-000	SHOCK MOUNT	5

# Receptacle Assembly



ITEM NO.	PART NUMBER	DESCRIPTION	QTY.
1	15221-061	RECEPTACLE BOX	1
2	15458-082	RECEPTACLE BOX COVER	1
3	21698-001	TORX PAN HEAD SCREW #10	8
4	21976-000	#8 LOCKWASHER EXTERNAL TOOTH	1
5	22370-007	TERMINAL SPADE 16/14AWG #10STUD	4
6	24198-001	BHMS #8-32 x .625 BLACK	3
7	40730-000	GROMMET .51D X .8125	1
8	4156-000	TERMINAL RING 12-10 #10 STUD	4
9	4158-000	TERMINAL RING 16-14 AWG #10	3
10	4160-000	TERMINAL, RING, 16-14AWG, 1/4 STUD	3
11	48042-001	TERMINAL, GROUND LUG, 6-14AWG	1
12	484-000	LOCKWASHER #10 SPLIT	3
13	48602-003	TERMINAL FEMALE 16-14 AWG .250 TAB	4
14	511-000	#8 FLATWASHER	3
15	51802-000	NUT HEX #6-32 NYLOCK	4
16	57030-015	30A 2PL BREAKER	1
17	58165-18	DISPLAY MODULE CABLE	1
18	58166-009	DISPLAY MODULE	1
19	58166-009	DISPLAY MODULE MOUNTING CLIP	1
20	58166-010	TERMINAL BLOCK MODULE	1
21	7792-001	BZ RHMS 6-32X.5	4
22	95985-000	#8-32 NYLOK HEX NUT	3
23	97360-000	RECEPTACLE, NEMA L14-30R 120_240V	1

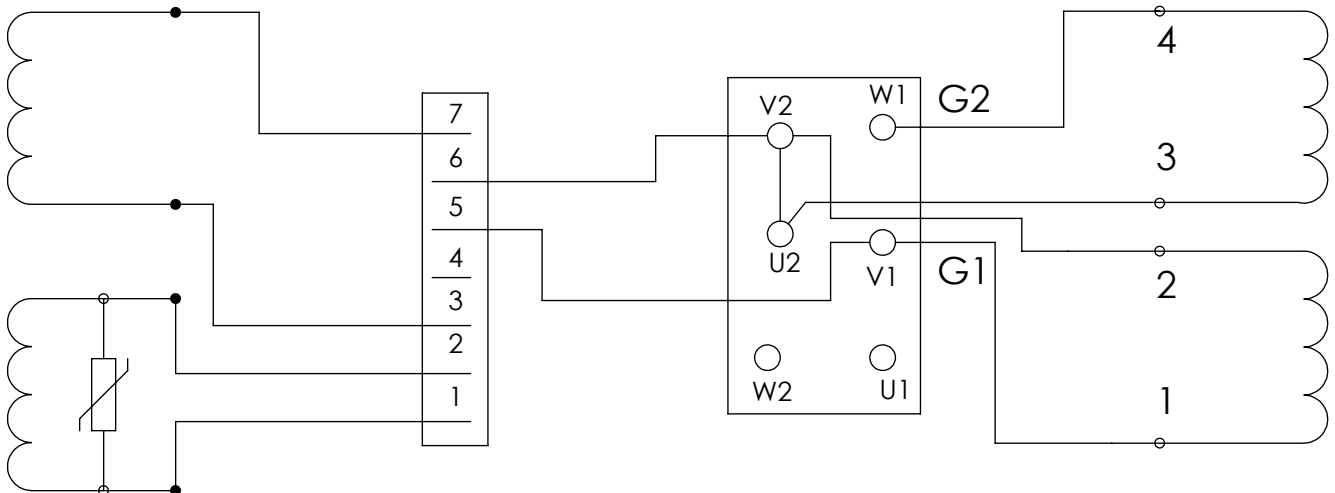
# Generator Information



ITEM	DESCRIPTION	PART NO.
	GEN END, ES16F-160/A, 6.8kW	16346-027
2	TERMINAL BOX LID	9-101
23	ASR ELECTRONIC REGULATOR	16346-420
41	BRUSH GEAR ASSEMBLY	9-103
75	RUBBER GROMMET	9-104
107	GRID RUBBER CAP	9-105

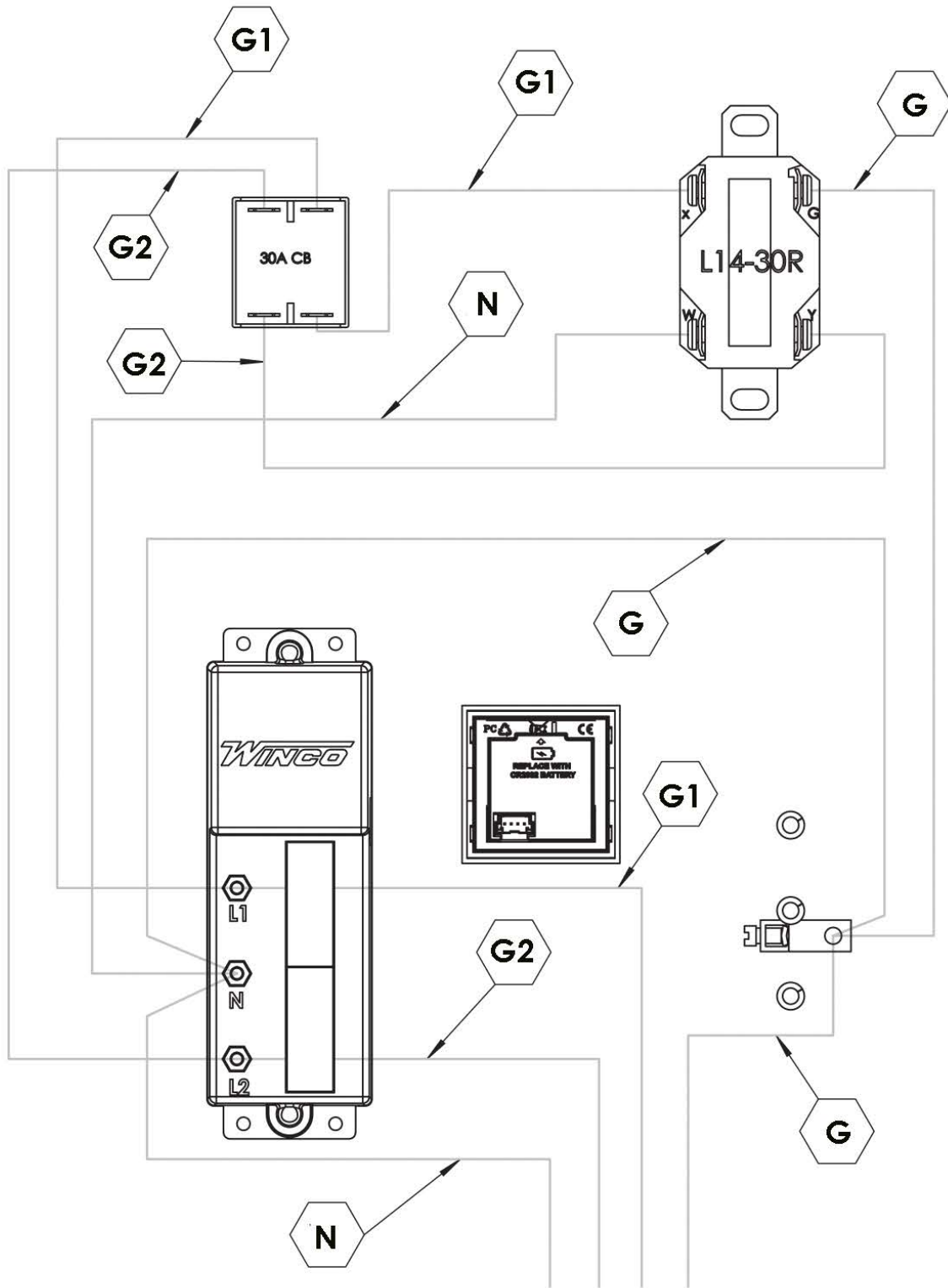
Individual parts not listed may be obtained from [www.meccalte.com](http://www.meccalte.com). WINCO Inc sells the complete generator end of the individual parts listed above.

ES16F-160 Expected Resistance ( $\Omega$ )		
Rotor	Stator	Auxiliary
8.378	0.510	0.920

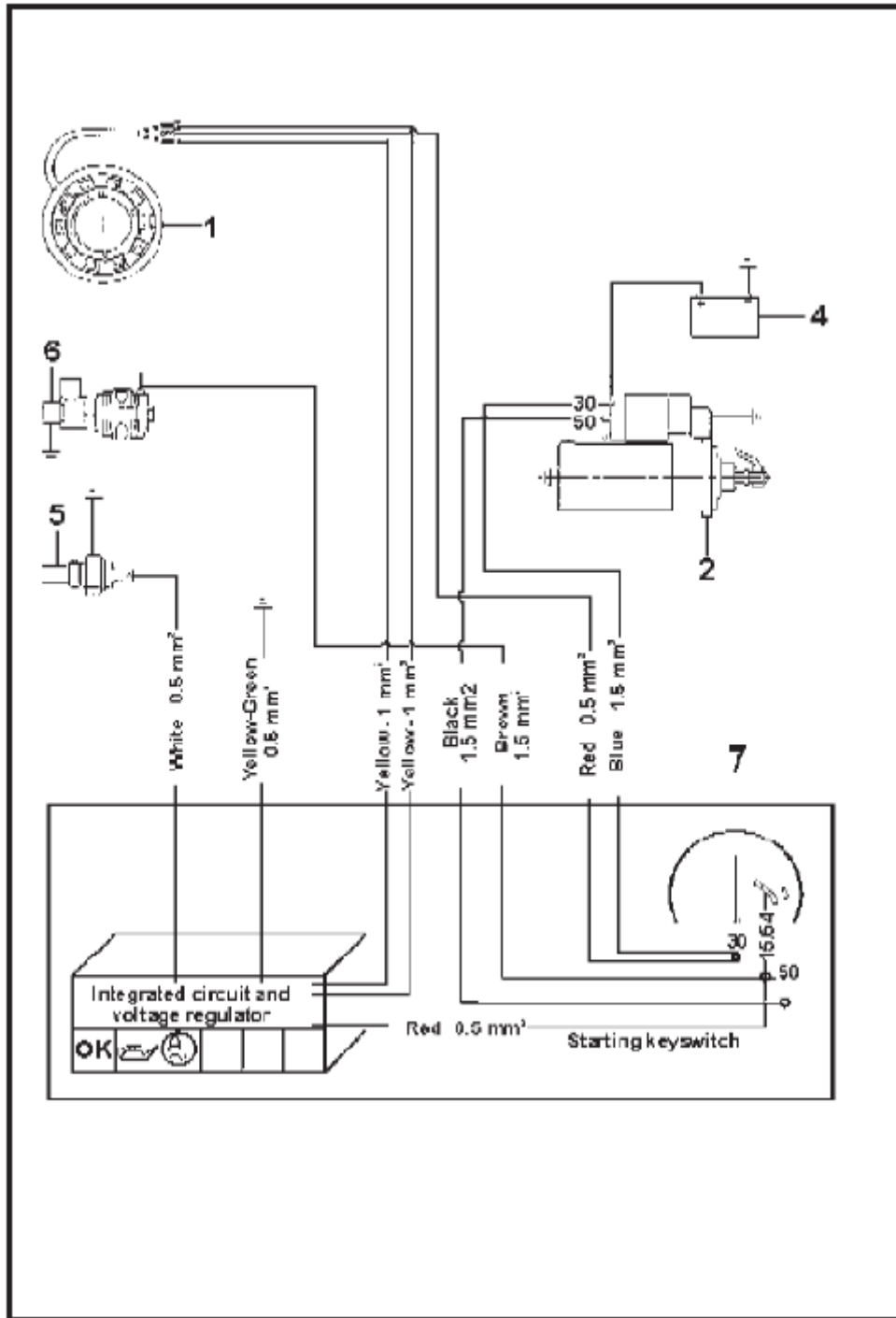




# Receptacle Wiring Diagram



# Engine Wiring Diagram



1	Alternator
2	Starter Motor
4	Battery
5	Pressure Switch
6	Solenoid Valve
7	Ignition Switch