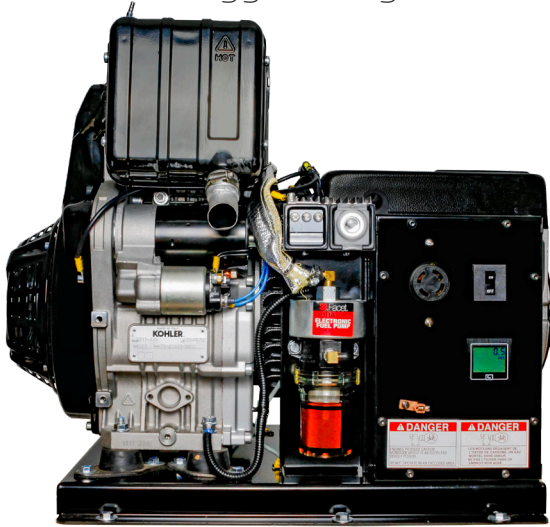
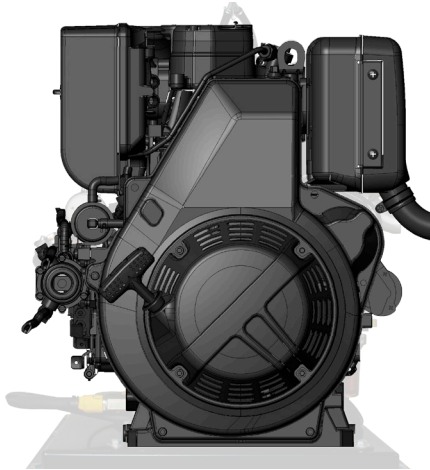


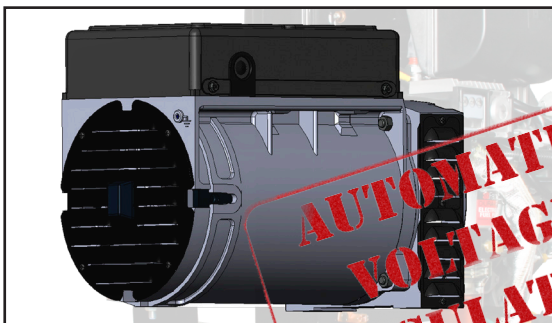
## Rugged Design



## Kohler Engine



## Industrial Genend



# YOUR GEN

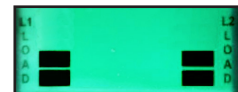
## LED Display

Hours, RPMs, voltage, and frequency readings automatically cycle on the display.



## Load Bars

Easily verify the load balance on each leg of the generator end.

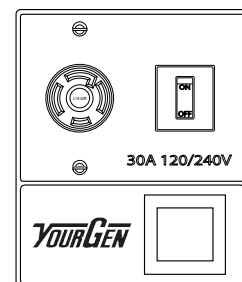


## Warnings

The LED will flash if any parameter gets outside of normal range. A warning will also be displayed when it is time for an oil change.



## Receptacle Panel



## ENGINE

ENGINE BRAND	KOHLER
ENGINE MODEL	KD440
ENGINE STARTER	ELECTRIC /RECOIL
ENGINE SPEED	3600 RPM
ENGINE CYLINDERS	SINGLE
DISPLACEMENT/TYPE	440 CC / OHV
FREQUENCY REGULATION <sup>(1)</sup>	+/- 3%
LOW OIL PROTECTION	STANDARD
RECOMMENDED OIL <sup>(2)</sup>	10W-30
OIL CAPACITY	1.3 QT
FUEL CONSUMPTION	GAL/HR
100%	0.50
75%	0.39
50%	0.30
25%	0.18
BATTERY SIZE <sup>(3)</sup>	BCI GROUP U1 300 CCA

NOTES: (1) Steady state frequency regulation. (2) The recommended oil is for normal applications. See operator's manual for the recommended oil for your needs. (3) Minimum recommended start battery. Battery not included.

## OPTIONAL ACCESSORIES

MAINTENANCE KIT	16200-014
-----------------	-----------

## ELECTRICAL

STARTING WATTS	6,010
RUNNING WATTS	5,160
RUNNING AMPS @ 120 VAC	43
RUNNING AMPS @ 240 VAC	21.5
VOLTAGE REGULATION	AVR +/- 1%
MAIN CIRCUIT BREAKER	30 AMP, 240V
BONDED NEUTRAL	YES
120/240 VOLT RECEPTACLES	(1) NEMA L14-30 30A
YOURGEN METER	STANDARD

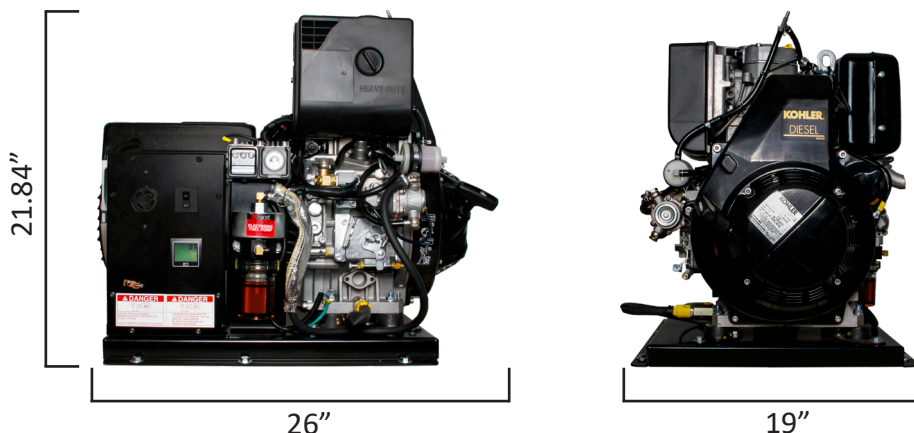
## GENSET

MOTOR STARTING (CODE G)	2 HP
DBA @ 7 METERS FULL LOAD	87.6
TOTAL HARMONIC DISTORTION	< 6%
INSULATION	CLASS H
ASSEMBLED IN	USA
EPA APPROVED	YES
CARB APPROVED	NO
CSA APPROVED	NO
UNIT WARRANTY <sup>(1)</sup>	3 YEARS COMMERCIAL

NOTES: (1) For more generator warranty, see operator's manual.

## SHIPPING

SHIPPING DIMENSIONS (L x W x H)	32" x 24.25" x 24.4"
SHIP WEIGHT	270 LBS
FREIGHT CLASS	70



Specifications are subject to change without notice.

225 S. Cordova Ave Le Center MN • 1-800-733-2112  
www.wincogen.com