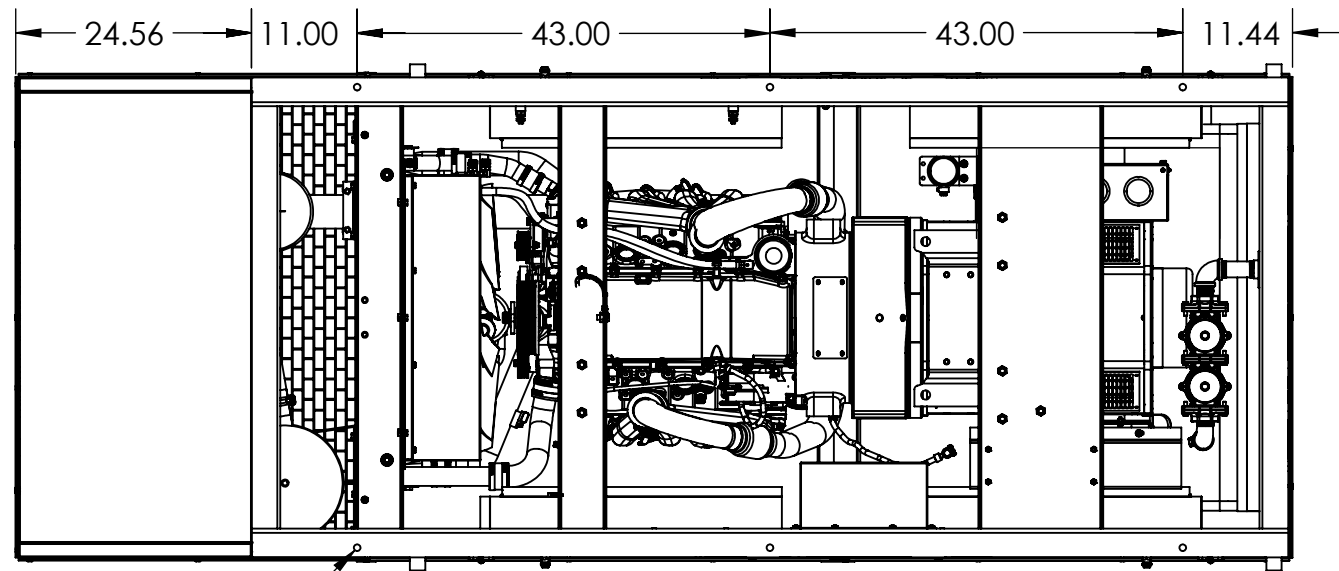
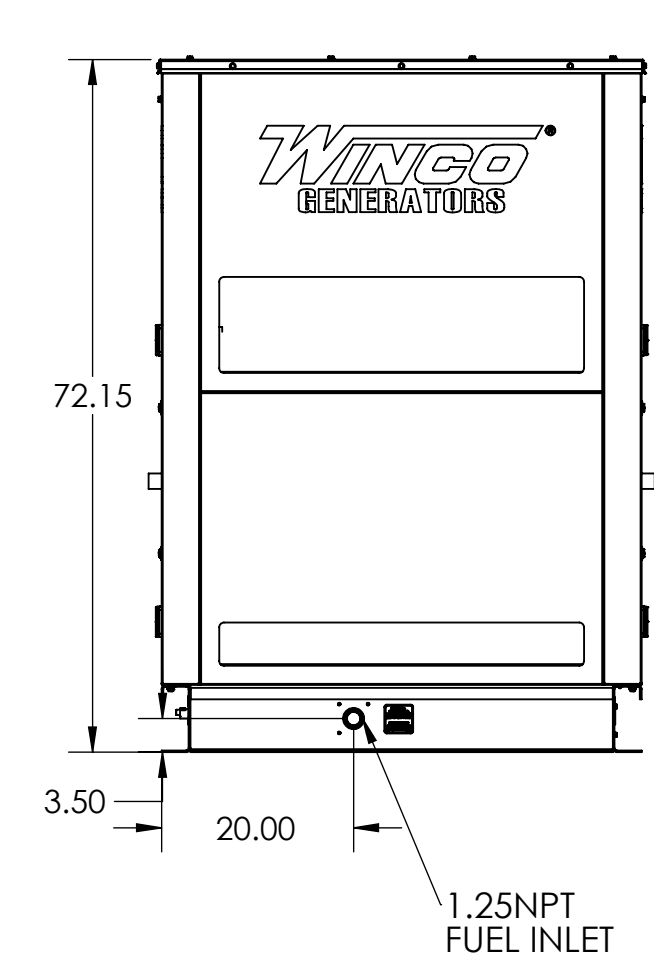
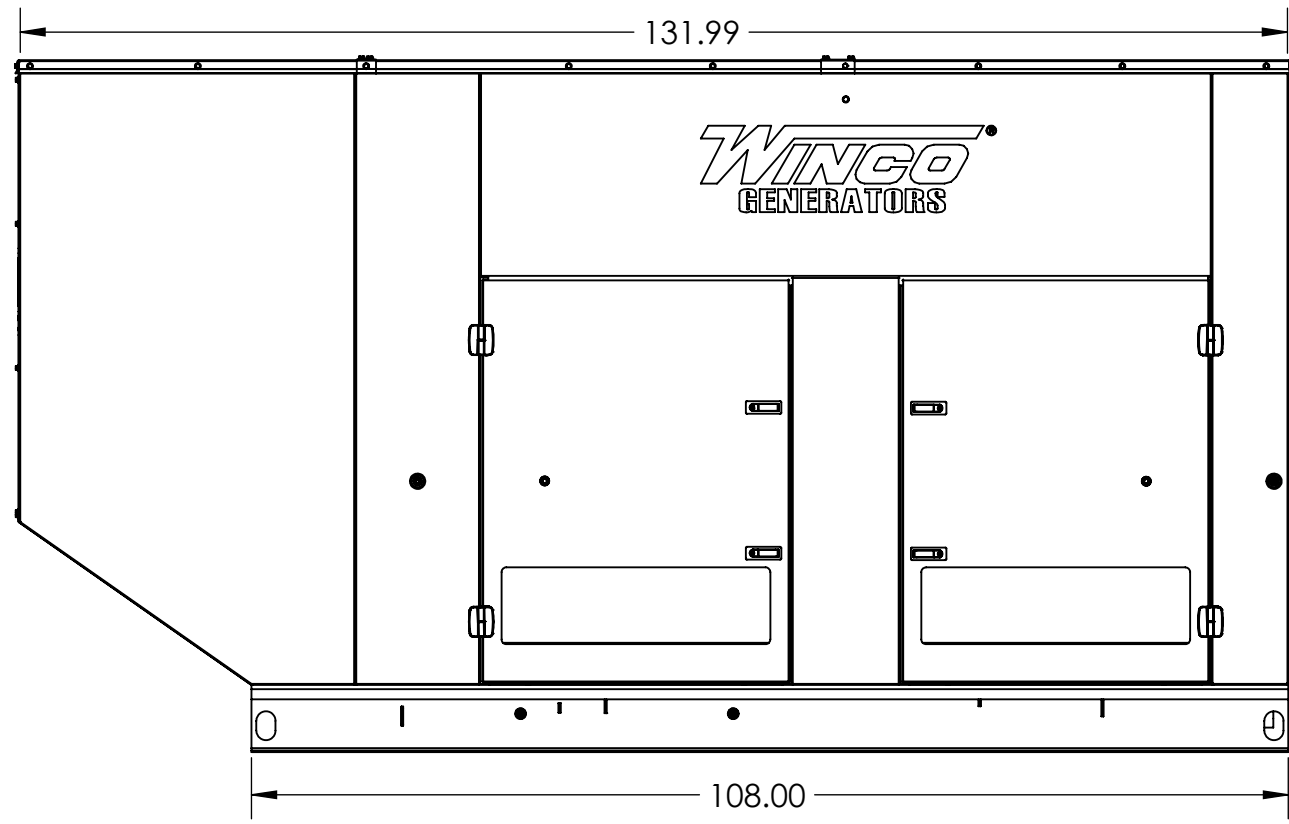
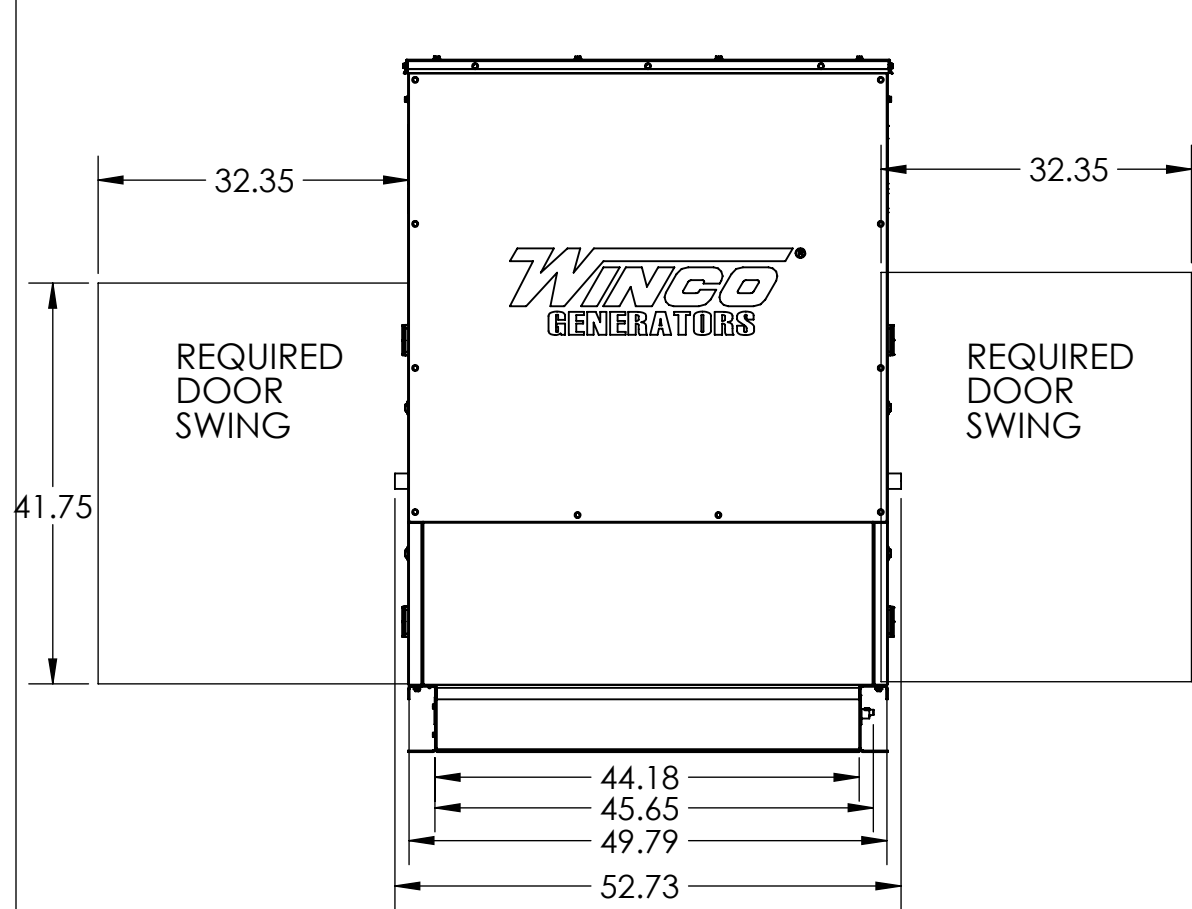


029-O

REVISIONS					
REV.	IRN	DESCRIPTION	DATE	BY	APP'D
A	C4728	ORIGINAL	9/29/17	BWZ	DRC



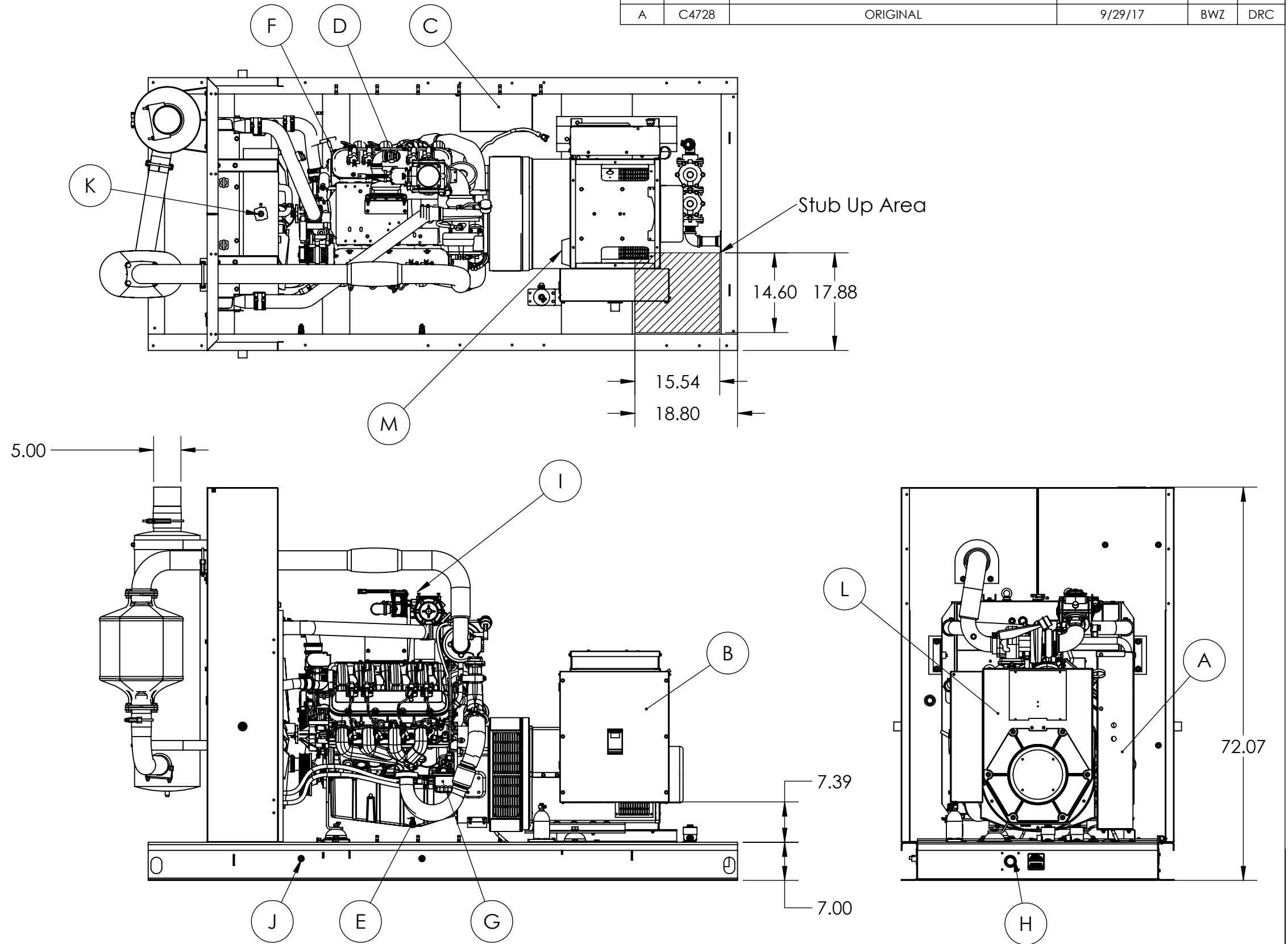
APPROXIMATE WEIGHT:
4700LBS (HOUSED)

.688 X6

<p>THIS DRAWING CONTAINS PROPRIETARY INFORMATION BELONGING TO WINCO. UNAUTHORIZED USE IS PROHIBITED.</p> <p>ALL DIMENSIONS INCH</p>	DRAWN BY	DATE	CHK'D BY	DATE	ENG APPR.	DATE
	BWZ	9/15/2017			DRC	2/3/2018
	TOLERANCE:	+/- 0.0625 DECIMAL		TITLE: ULPSS150 OUTLINE DRAWING		
	MODEL:	PSS150/A		PART: O-520 1 of 2		

029-O

REVISIONS					
REV.	IRN	DESCRIPTION	DATE	BY	APP'D
A	C4728	ORIGINAL	9/29/17	BWZ	DRC



KEY COMPONENTS	
A	ENGINE CONTROL
B	MAIN LINE CIRCUIT BREAKER
C	GROUP 24 BATTERY (NOT INCLUDED)
D	OIL FILL
E	OIL DRAIN
F	OIL DIPSTICK
G	OIL FILTER
H	FUEL INLET
I	AIR FILTER
J	COOLANT DRAIN
K	COOLANT FILL
L	AVR
M	BATTERY CHARGER

DRAWN BY	DATE	CHK'D BY	DATE	ENG APPR.	DATE
BWZ	9/15/2017			DRC	2/3/2018
TOLERANCE:	+/- 0.25" (UNLESS SPECIFIED)		TITLE:		
WEIGHT:	4197.491	LBS	ULPSS150 OUTLINE DRAWING		
MATERIAL:					
MODEL:	PSS150/A		PART: O-520 SHT 2		

THIS DRAWING CONTAINS PROPRIETARY INFORMATION BELONGING TO WINCO. UNAUTHORIZED USE IS PROHIBITED