



- — Reliance Controls — ○
"The leader in portable standby power integration"
- — GFCI Compatible — ○
Works with GFCI protected generators
- — Bonded-Neutral Compatible — ○
Meets NEC code with generators with bonded neutrals.
You will be able to safely use your portable generator on the go or to power your home
- — Durable Design — ○
Powder coated steel housing

○ — SPECIFICATIONS — ○

| | |
|-----------------------------|---|
| AMPS | 30 |
| PANEL | INDOOR |
| CIRCUIT BREAKER SLOTS | |
| SINGLE | 10 |
| TANDEM | 18 |
| COMPATIBLE CIRCUIT BREAKERS | |
| SIEMENS | OP, OT, OPH, HOP, OPF, OPHF, QFP, QE, OEH |
| SQUARE D | HOM (100A MAX) |
| MURRAY | MP |
| WESTINGHOUSE | BD, BR, BO, GFC (ALL 100A MAX) |
| DIMENSIONS (W x D x H) | 12.38" x 3.38" x 15.75" |
| SHIPPING WEIGHT | 17 lbs |
| WARRANTY | 1 YR |

○ — OPTIONAL ACCESORIES — ○

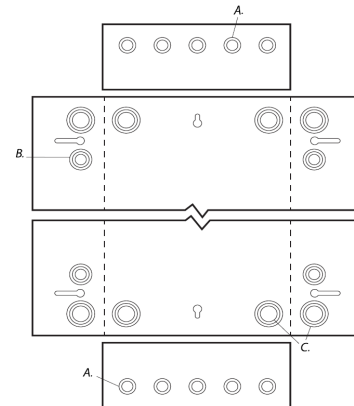
| | |
|--------------------------|--------------|
| INLET BOX ⁽¹⁾ | L14-30F 30A |
| CORD SET | 20 FT L14-30 |

Notes: (1) An inlet box required, there is no plug connected to panel.



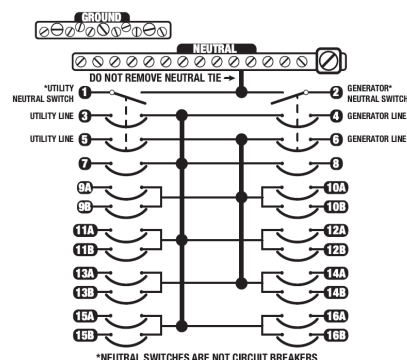
Inlet Box

○ — KNOCKOUT PATTERN — ○



A. 10 KO's for 0.5", 0.75" Conduit
B. 4 KO's for 0.5", 0.75", 1.0" Conduit
C. 4 KO's for 0.75", 1.0", 1.25" Conduit

○ — WIRING DIAGRAM — ○



Specifications are subject to change without notice.